

1. 芯数/NO. of contacts

系列/Series	303	304	305	306	308	312	317
孔位排列/Pin Number							
适配线缆/Conductor size	22AWG	22AWG	22AWG	24AWG	24AWG	26AWG	26AWG
导体直径/Pin size	1.0mm	1.0mm	1.0mm	0.8mm	0.8mm	0.6mm	0.6mm
额定电流/Rated current	4A	4A	4A	2A	2A	1A	1A
额定电压/Rated voltage	250V	250V	60V	30V	30V	30V	30V

3. 编码原则/Part Number

浮动式插头/Free Plug

M12A 1 305 A M A B G1

主型号/Type

外观/Appearance: 1, 2, 3, 4

针数/Pin Number

绝缘体型号/Insulator coded: A, B, D

绝缘体型号/Insulator type: M=Male

针类型/Sold Type: A=Turning Z=Stamping

针长度/Pin Length: B=Standard

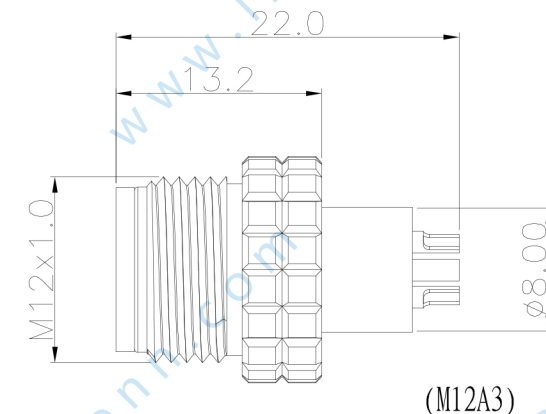
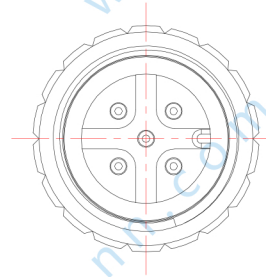
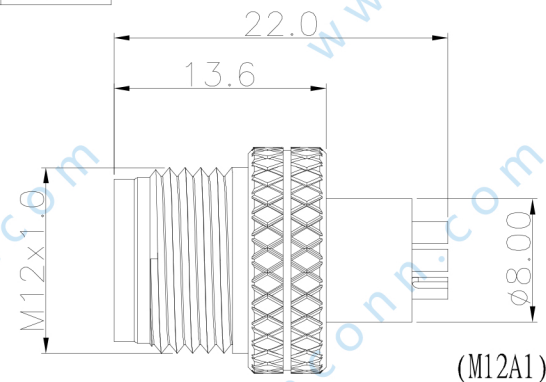
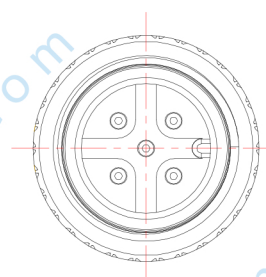
表面处理/Plating: Gold Flash

4. 技术特性/Technical Characteristics

1. 寿命/Durability: >500 mate/unmate cycles
2. Pin接触电阻/ Pin Contact Resistance: $\leq 10 \text{ m}\Omega$
3. 绝缘电阻/Insulation Resistance: $\geq 100 \text{ M}\Omega$
4. 温度等级/Rated Temperature: -25°C , $+80^\circ \text{C}$
5. 盐雾/Corrosion Resistance: Salt spray test, >48h
6. 防水等级/Waterproof: IP67

2. 绝缘体型号/Insulator Coded

Coded	A	B	D
型号			



3	外壳/Outer Shell: 黄铜镀镍/Brass, Nickel plated	SCALE F	TOLERANCES ARE: DECIMALS X ± 0.2 .XX ± 0.1		TITLE: 浮动式插头/Free Plug PART NO. M12A1305AMABG1 Linconn Etc Tech Co.,LTD
2	绝缘体/Insulator: PA BLACK		SHEET DIMENSION	APPROVALS	
1	公针芯/PIN: 黄铜镀金/Brass, G/F	1 OF 1	MM	CHECKED:	REV. *
序号 ITEM	名称 & 规格/Name & Description	DWG NO. M12A	REV. AO	CHECKED:	
				DRAWN: S.peng	03/24/2014