

PART NUMBER

M12H 4 308 A F V B G1 (S)

SERIES NAME

APPEARANCE

NO.OF CONTACTS

INSERT HOUSING CODING

INSERT HOUSING TYPE

SOLD TPYE

PIN OF LENGTH

PLATING:GOLD FLASH

SHIELDED

MATERIALS:

CONTACT: PHOSPHOR COPPER;GOLD PLATING

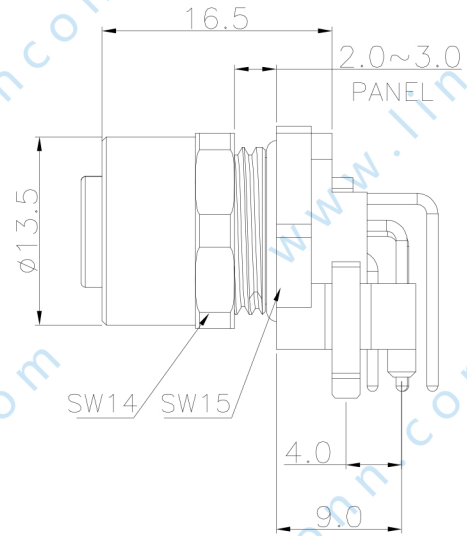
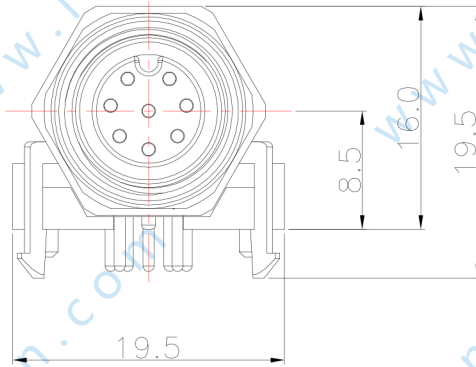
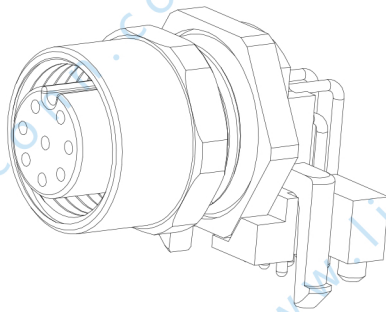
INSULATION: PA

OUT SHELL: BRASS NICKEL PLATED

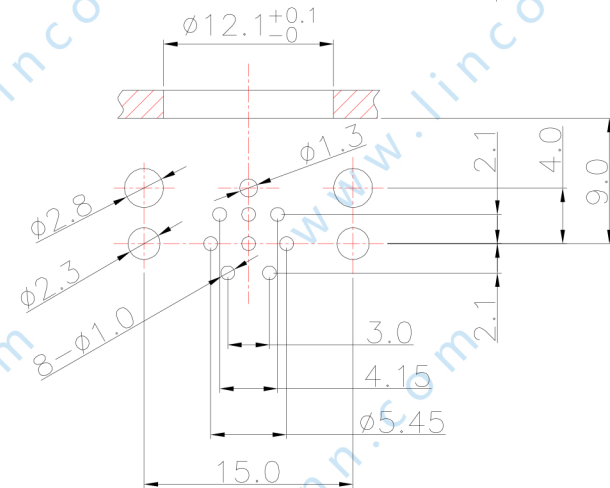
O-RING: NBR

TECHNICAL SPECIFICATION:

- 1.RATED VOLTAGE: 30V
- 2.RATED CURRENT AT 40°: 2A
- 3.INSULATION RESISTANCE: 100 MΩ MIN
- 4.DEGREE PROTECTION: IP67
- 5.TEMPERATURE RANGE: -25°~70°
- 6.MATING CYCLES:500 MIN



PCB LAYOUT & PANEL HOLE SIZE



ECN	REV	DESCRIPTION	DATE	APPROVED

	SCALE	TOLERANCES ARE:		TITLE: FEMALE SOCKET M12 ANGLED	
	F	DECIMALES	ANGLES	PART NO. M12H4308AFVBG1(S)	
SHEET	DIMENSION	APPROVALS	DATE	REV. *	
1 OF 1	MM	APPROVED:			
DWG NO.	REV.	CHECKED:			
	A0	CHECKED:			
		DRAWN:			