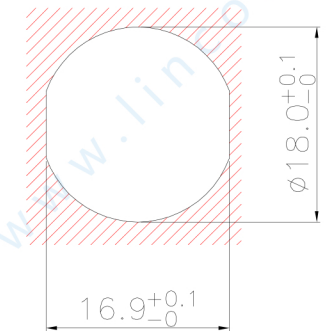


ECN	REV	DESCRIPTION	DATE	APPROVED

1. 芯数/NO. of contacts

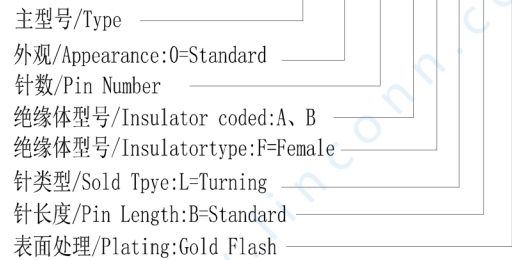
系列/Series	303A	304A	305A	306A	307B	308A	312A	314B	319A
孔位排列/Pin Number									
适配线缆/Conductor size	0.75mm ²	0.75mm ²	0.75mm ²	0.75mm ²	0.75mm ²	0.75mm ²	0.25mm ²	0.25mm ²	0.25mm ²
导体直径/Pin size	1.5mm	1.5mm	1.5mm	1.5mm	1.5mm	1.5mm	1.0mm	1.0mm	1.0mm
额定电流/Rated current	7A	6A	6A	5A	5A	5A	3A	3A	3A
额定电压/Rated voltage	250V	250V	250V	250V	125V	60V	60V	60V	60V

4. 面板开孔/RECOMMENDED PANEL CUT-OUT



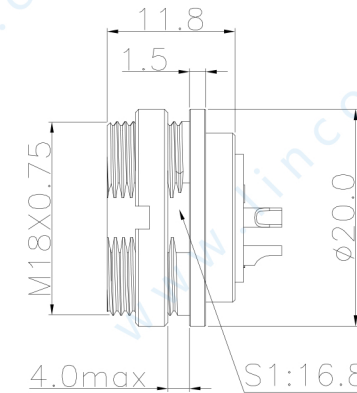
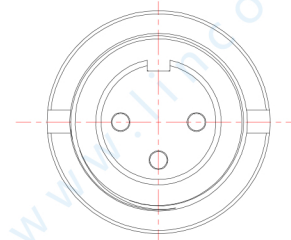
2. 编码原则/Part Number

固定式插座/Fixed socket M16F 0 303 A F L B G1



3. 技术特性/Technical Characteristics

- 寿命/Durability: >500 mate/unmate cycles
- Pin接触电阻/ Pin Contact Resistance: ≤10 mΩ
- 绝缘电阻/Insulation Resistance: ≥ 100 MΩ
- 温度等级/Rated Temperature: -25° C, +80° C
- 盐雾/Corrosion Resistance: Salt spray test, >48h
- 防水等级/Waterproof: IP40



4	螺母/nut: 黄铜镀镍/Brass, Nickel plated		SCALE	TOLERANCES ARE: DECIMALS $x \pm$ $x \pm$	TITLE: 固定式插座/Fixed socket	
3	外壳/Outer Shell: 锌合金镀镍/ Zinc Alloy, Nickel plated		F		PART NO. M16F0303AFLBG1	
2	母针芯/PIN: 磷铜镀金/Phosphor copper, G/F		SHEET	APPROVALS	DATE	REV. *
1	绝缘体/Insulator: PA BLACK		1 OF 1	DIMENSION	APPROVED:	
序号ITEM	名称 & 规格/Name & Description		MM	CHECKED:		
			DWG NO.	CHECKED:		
			M16F	DRAWN: S.peng	07/05/2016	
			REV.			
			A0			

LINCONN Linconn Elc Tech Co.,LTD